

Series HAV



Every component precisely matched

Handwheel

As standard, the valves are equipped with a handwheel. On request, the shut-off valves can be supplied with a pneumatic or an electric actuator.

Reliable stem seal

Depending on the process fluid, pressure and temperature, we can advise you on the most suitable stem seal – from the stuffing box to the hermetically-tight bellows sealing – so that you will not have to worry about the tightness. Stem surface, packing material and design are finely matched so that neither friction, corrosion nor emission limit values will cause you any issues.

Bonnet

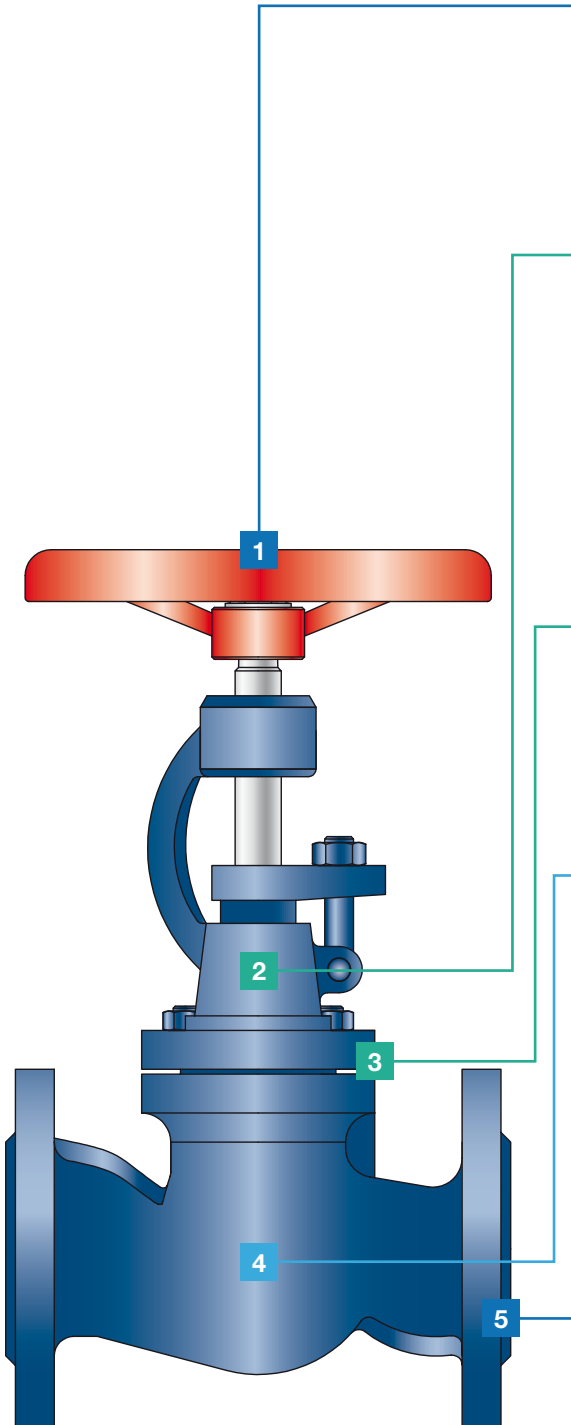
The bonnet enables an easy dismounting. A bellows version is also available.

Inner parts

The metallic or soft seal of the plug in conjunction with the metallic seat ensures a permanent internal tightness.

Body

The one-piece body is available in cast steel, heat resisting cast steel or stainless steel. The nominal pressure rating goes from PN 16 to PN 500 and reaches temperatures up to 500°C.

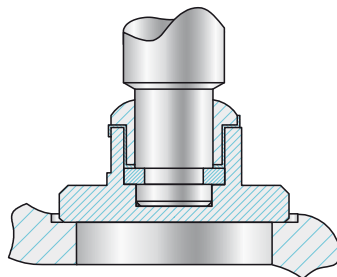


Applications

- Chemistry
- Petrochemistry, natural gas
- Paper and pulp
- Food and beverages
- Energy, powerplants, district heating
- Waste management, municipale plants
- Textyle industry, dyeing factories
- Shipbuilding

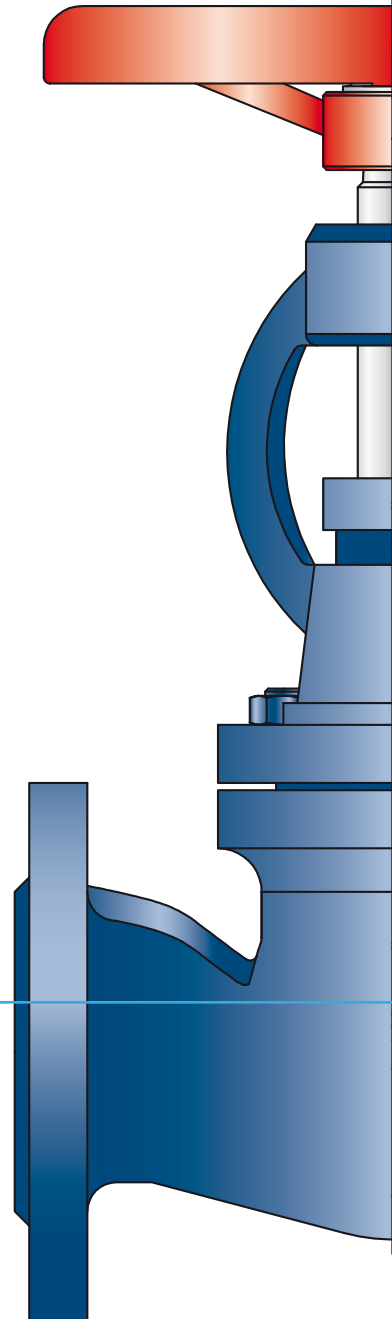
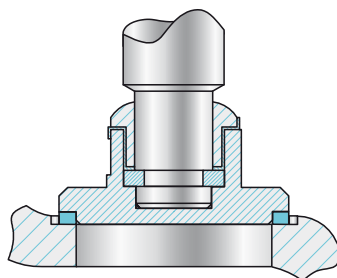
On/Off plug metal sealing

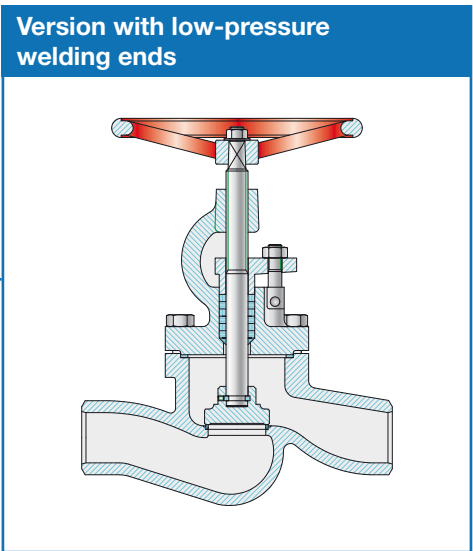
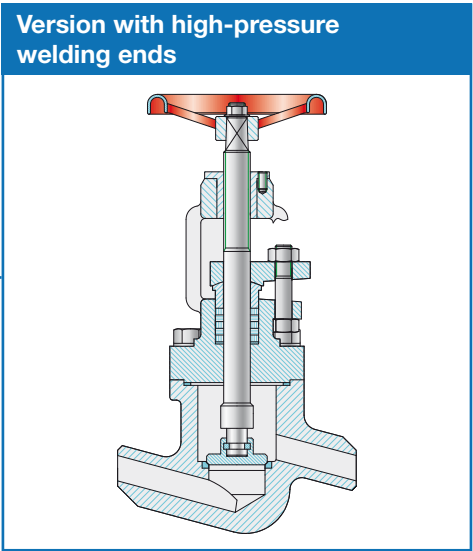
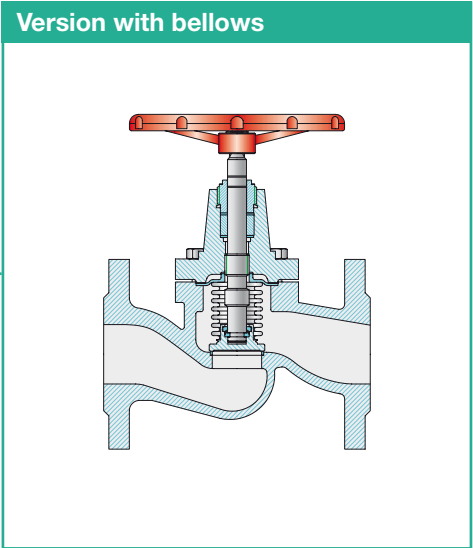
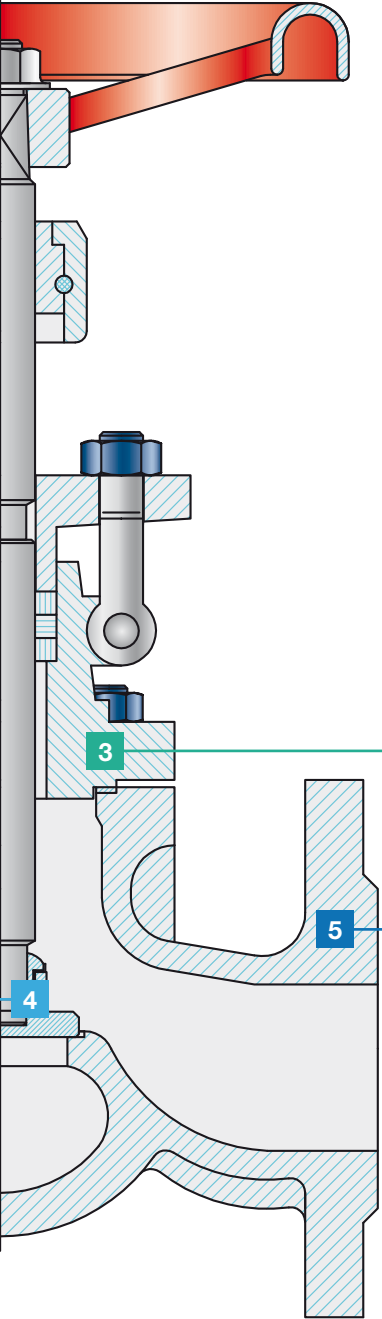
- On/Off function
- Leakage rate $\leq 0.01\%$ of the kvs-value up to kvs ≤ 45 , above 0.05 %



On/Off plug soft sealing

- On/Off function
- Bubble-tight
- Temperature range -196°C to $+200^{\circ}\text{C}$





Series HAV

Standard version



Features	Advantages
Body designed to meet flow path criteria	<ul style="list-style-type: none">● Less noise● Less wear
Modular design	<ul style="list-style-type: none">● Many different combinations of valves and actuators possible● Plug /seat combinations<ul style="list-style-type: none">– Metallic sealing– Soft sealing● Stem /seal combinations<ul style="list-style-type: none">– Adjustable stuffing box
Highly accurate stem guiding	<ul style="list-style-type: none">● Precise plug guiding● Guided stuffing box● Minimum wear of packing
Compact and robust design	<ul style="list-style-type: none">● Saves installation space● Any mounting position possible
Easy interchangeability of components	<ul style="list-style-type: none">● Low operating expenses
Stainless steel internal parts	<ul style="list-style-type: none">● No corrosion
Optionally available with manual, pneumatic or electric actuator	<ul style="list-style-type: none">● Wide range of choice

Series HAV

General data	
Series	HAV
Nominal bore DN	15 to 300
Nominal pressure PN	16 to 500
Flanges	EN 1092-1 (2), form A-H
Installation length	EN 558-1
Permissible operating temperature	up to +500° C

Materials				
Body material	EN	for temperatures	ASTM	for temperatures
	GG-25 EN-GJL-250	- 10 to 300° C	-	-
	GGG-40 EN-GJS-400-15	- 10 to 300° C	-	-
	1.0619 GP240GH*	- 10 to 400° C	A216WCB	- 29 to 400° C
	1.4408 G-X5CrNiMo 19-11-2*	-196 to 400° C	A351CF8M	-196 to 400° C
	1.7357 G17CrMo5-5*	- 10 to 500° C	A217WC6	- 29 to 500° C
* Depending on the nominal bore				
Trim materials				
Corrosion and acid resistant stainless steel				