

## Series SHE



Dr. J. W. Schubert CE  
1.5 - 20 V (Lohn): 4.5 W/P 4.5  
1.5 mm Eingest. 16 mm  
Dr. J. W. Schubert F.R. 47520

# Every component precisely matched

## Electric actuator

Most commonly used is the electric actuator series SHE as shown here. It is robust, provides a constant seating force and is cost effective. Different positioning forces, strokes and motor voltages can be manufactured according to your requirements. The SHE actuator is the multifunctional interface to the controller or the process control system. As standard, it uses the 3-point triggering, the position electronics (PEL) enables the control of the unit with signal 4–20 mA. A fail-safe-version closes or opens the valve in case of malfunction.

## Manual override

The manual override allows mechanical adjustment in case of power failure.

## Coupling and stem

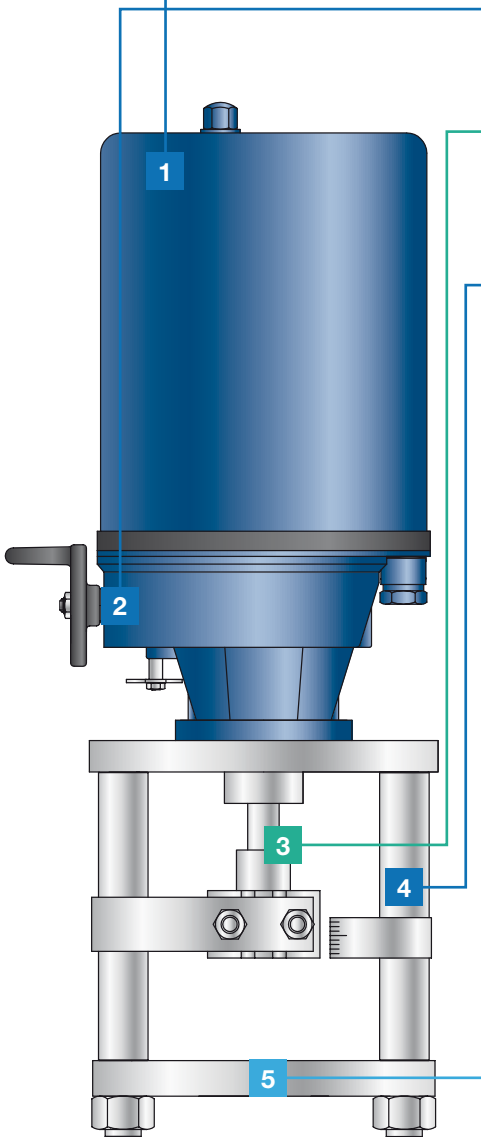
The coupling forms the connection between the actuator stem and valve stem. Optionally we manufacture the matching connector.

## Pillars

The pillar design allows flexible and easy installation on the valve. Material, length and spacing of the pillars can be adapted to customer requirements.

## Traverse

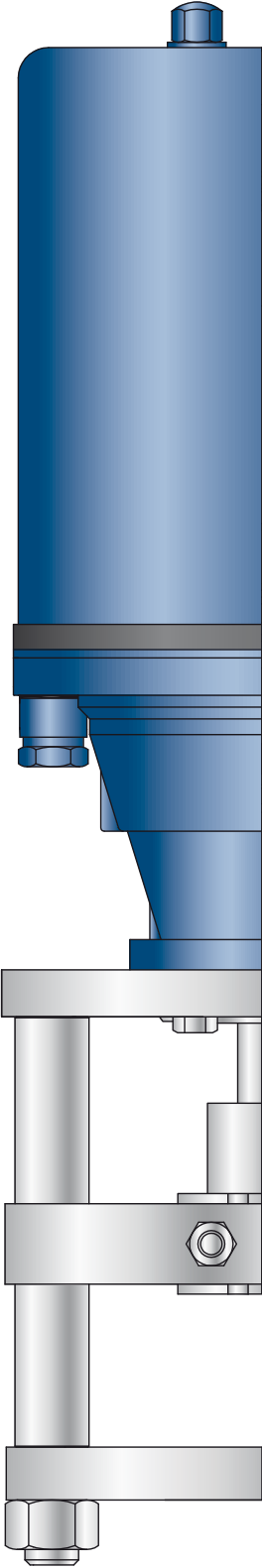
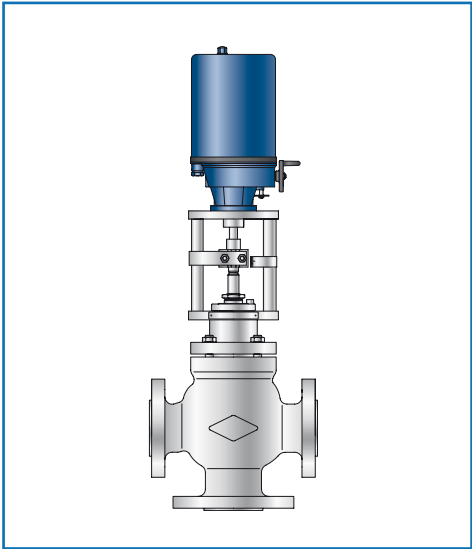
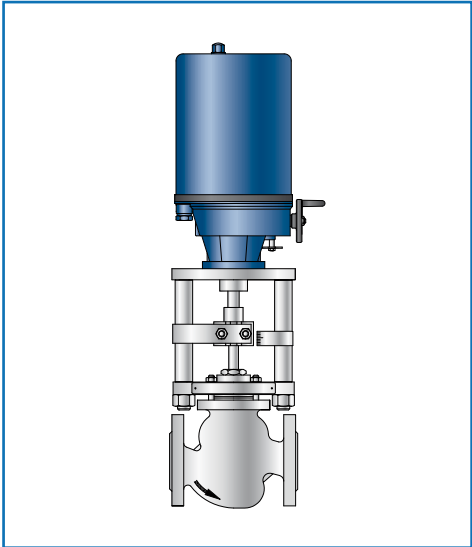
The traverse is the connection between the actuator and valve.

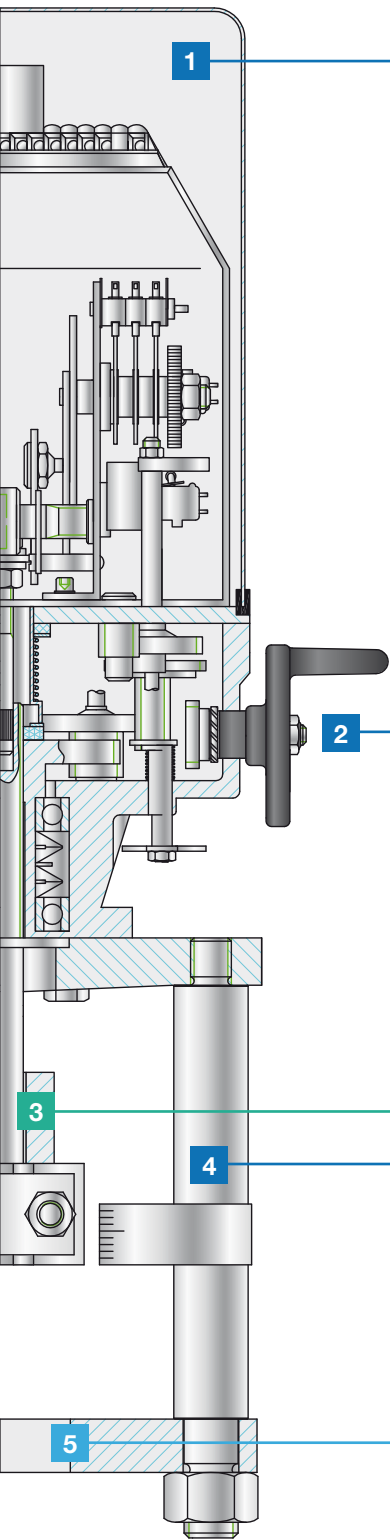


# Applications

- 2-way valves
- 3-way valves

## Application examples



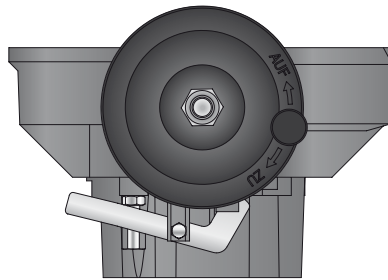


### Powerfull actuator

- 3-point triggering or PEL 4–20 mA signal
- Special voltages
- Various positioning forces and actuating speeds are possible
- Additionally with fail-safe function

### Manual override

- If the electrical energy fails, the actuator can be operated via the manual override



### Stem and coupling

- Stem as standard in stainless steel
- Stem with threaded end
- Coupling as standard in stainless steel, optionally electrolytically polished available

### Pillars

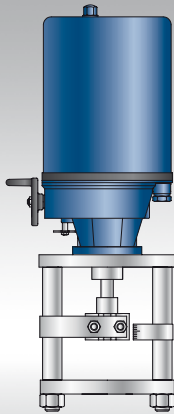
- Available as standard in galvanized steel or in stainless steel, optionally also in duplex material
- Pillar length and spacing adaptable

### Traverse

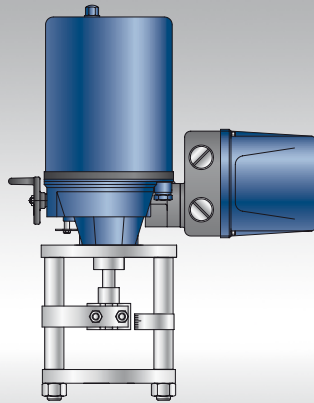
- Available as standard in galvanized steel or in stainless steel, optionally electrolytically polished
- Bolt circles freely selectable

# Series SHE

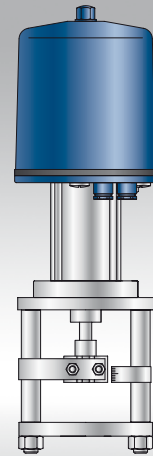
Standard version



Fail-safe-version (FSC-module)



Fail-safe-version (mechanical)



Features	Advantages
<b>Robust design</b>	● Space-saving installation
<b>Installation in any position between horizontal and vertical</b>	● Flexible mounting options
<b>Manual override</b>	● Increased operating reliability
<b>Additional load or limit switch</b>	● Flexible setting possible
<b>Position electronics</b>	● Integrated positioner in the device
<b>Pillar yoke to NAMUR</b>	● Easily adaptable to all valves and other applications by variable pillar lengths
<b>Fail-safe</b>	● Versatile applications
<ul style="list-style-type: none"> <li>- Special voltages</li> <li>- Teletransmitter construction</li> <li>- Brakes</li> <li>- Different actuating speeds</li> </ul>	● Optimal adaptation to your operating conditions

## Series SHE

General data	
Type	SHE 0, 6–SHE 25
Actuating force (kN)	0, 6–25
Actuating speed mm/min	8–50
Stroke max (mm)	35–100
Operating mode IEC 34-1	S1–100%, S4–30% ED 600 c/h
Motor voltage	24 V/115 V/230 V/400 V, 50/60 Hz, 24 V DC
Manual override	crank, by lateral hand wheel
Components	teletransmitter, limit switches, potentiometers, position electronics, etc.
Protection class	IP43, IP54, IP65
Operating temperature	–20°C to +60°C
Fail-safe function	on request