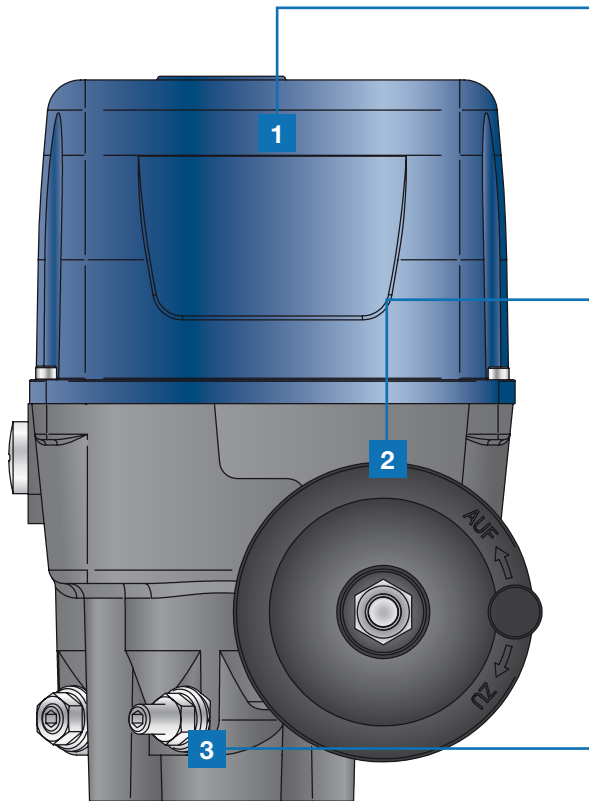


## Series SHE Torque



# Every component precisely matched



## Electric rotary actuator

Most commonly used is the electric rotary actuator as shown here. It is robust, provides a constant seating force and is cost effective. Different rotation angle, torques and motor voltages can be manufactured according to your requirements. The SHE Torque actuator is available with 3-point triggering or with position electronics (PEL) 4–20 mA. A fail-safe-version closes or opens the valve in case of malfunction.

## Manual override

The manual override allows mechanical adjustment in case of power failure.

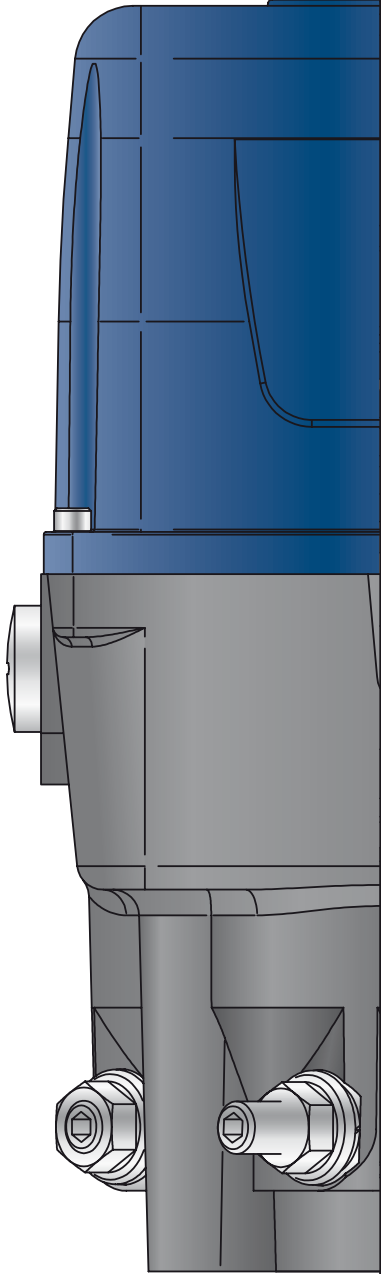
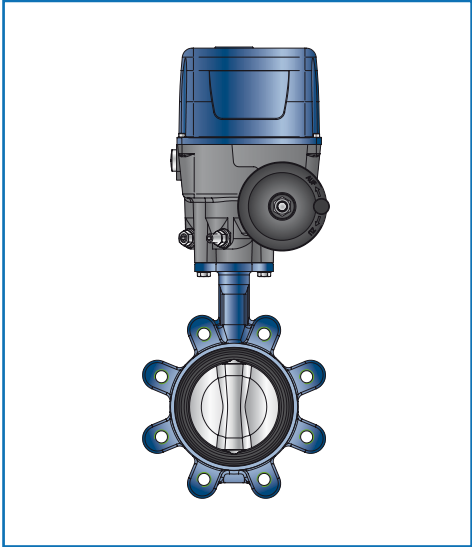
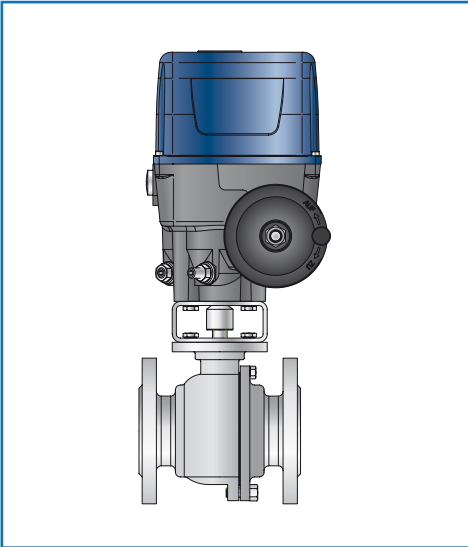
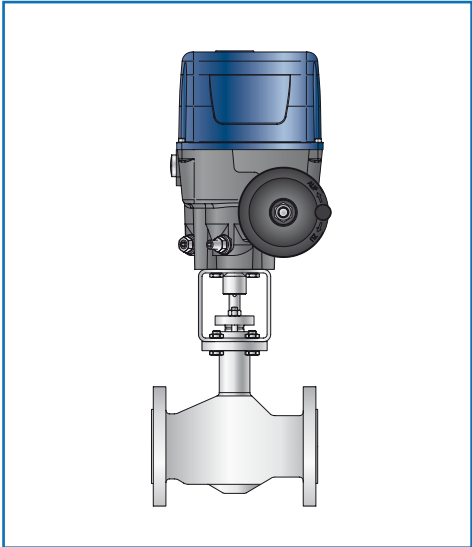
## Connecting dimensions acc. to ISO 5211

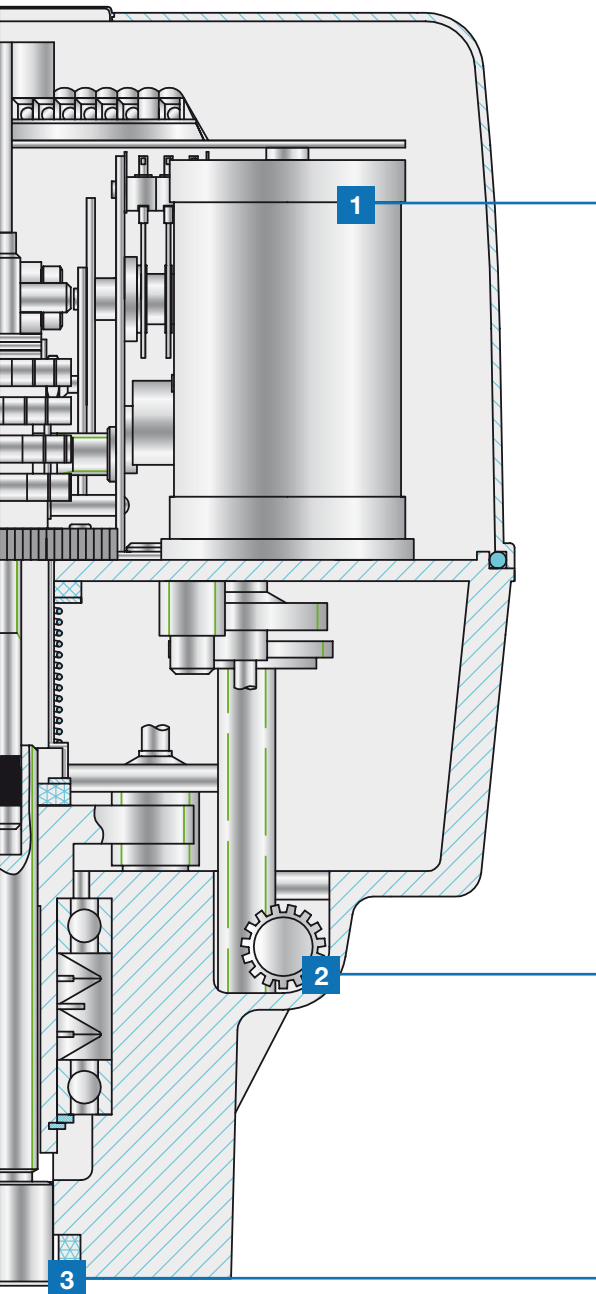
The standardized connection allows easy mounting on butterfly valves, ball valves or rotary plug valves. An adapter piece connects the shaft end of the valve with the actuator.

# Applications

- Armatures (rotary plug valves, ball valves, butterfly valves)

## Application examples



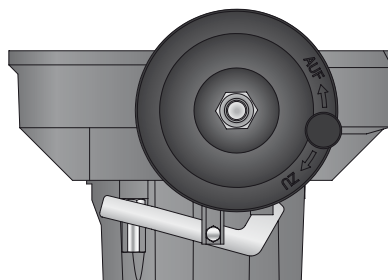


### Powerfull actuator

- 3-point triggering or PEL 4–20 mA signal
- Special voltages
- Various torques and rotation speeds are possible
- Rotation angle adjustable from 90° to 180°
- Additionally with fail-safe function

### Manual override

- If the electrical energy fails, the actuator can be operated via the manual override

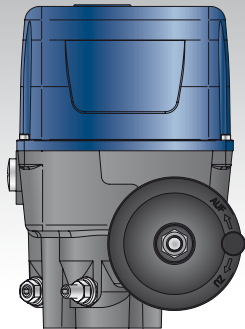


### Connecting dimensions acc. to ISO 5211

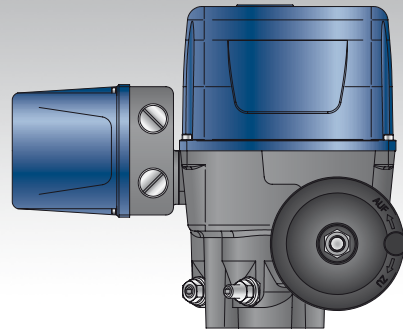
- Allows the installation of small and large valves
- Partly also direct mounting on valves possible

# Series SHE Torque

Standard version



Fail-safe-version



## Features

### Robust design

Installation in any position between horizontal and vertical

Connecting dimensions acc. to ISO 5211

Manual override

Position electronics

Fail-safe

- Special voltages
- Torques
- Rotation speeds
- Brakes
- Different actuating speeds

## Advantages

- Space-saving installation
- Flexible mounting options
- Easy adaptation to all valves
- Increased operating reliability
- Integrated positioner in the device
- Versatile applications
- Optimal adaptation to your operating conditions

## Series SHE Torque

General data						
Type	EQD25	EQD50	EQ40	EQ60	EQ100	EQ150
Max. torque (Nm) in controlling mode	25	50	40	60	100	150
Max. torque (Nm) in regulating mode	25	50	20	40	60	80
Actuating speed for 90° (s/min)	15/30/70	15/30/70	15/30/60	20/30/60	20/30/60	20/30/60
Max. rotation angle	90°...180°					
Operating mode IEC 34-1	S1 – 100 % ED / S3 – 30 % ED 1200 c/h					
Motor voltage	24 V/115 V/230 V/400 V 50/60 Hz, 24 V DC					
Manual override	handwheel at the actuator					
Components	teletransmitter, limit switches, potentiometers, position electronics, etc.					
Protection class	IP67					
Operating temperature	–20°C to +60°C					
Fail-safe function	on request					

Type	EQ300	EQ600
Max. torque (Nm) in controlling mode	300	600
Max. torque (Nm) in regulating mode	180	300
Actuating speed for 90° (s/min)	40/80/160	80/160
Max. rotation angle	90°...180°	
Operating mode IEC 34-1	S1 – 100 % ED / S3 – 30 % ED	
Motor voltage	24 V/115 V/230 V/400 V 50/60 Hz, 24 V DC	
Manual override	handwheel at the actuator	
Components	teletransmitter, limit switches, potentiometers, position electronics, etc	
Protection class	IP67	
Operating temperature	–20°C to +60°C	
Fail-safe function	on request	