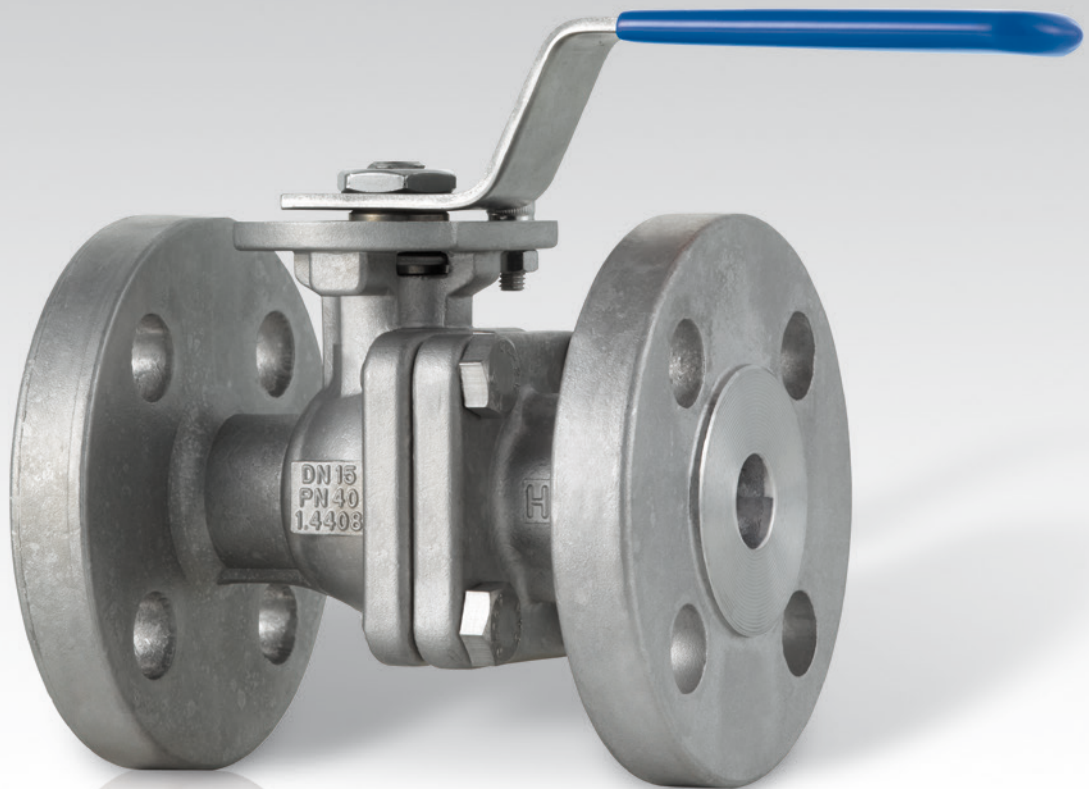
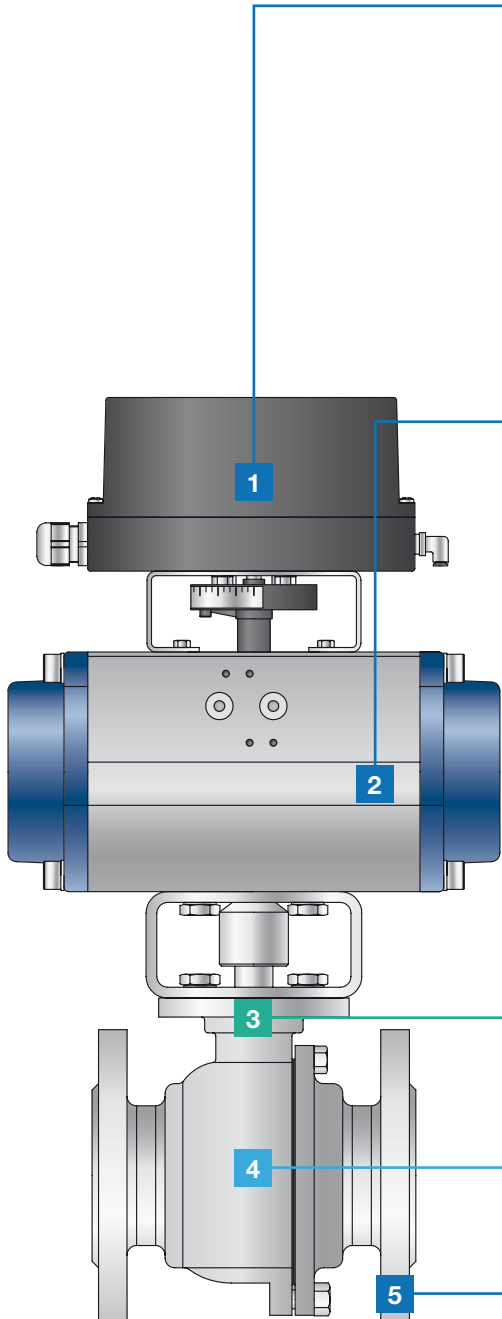


Series HKH



Every component precisely matched



Multi-functional positioner

The ARCAPRO® digital positioner is a multi-functional interface with the controller or process control system and operates as standard with 4 to 20 mA. HART, Profibus (PA), and Foundation Fieldbus (FF) communication are used to establish a digital interface with bidirectional data exchange (including status messages). It can be parameterized on site or via the communications system. An open mechanical interface concept that our mother company ARCA helped elaborate complies with VDI/VDE 3845 and is used for mounting and mechanically connecting the positioner to the actuator. For more details about this see the von Rohr brochure ARCAPRO® positioner.

Powerful rotary actuator

Most commonly used is the pneumatic multi-spring actuator series DA as shown here. It is robust, ex-proof, features low actuating times, provides a constant seating force and is cost effective. Different sizes and rotation angles can be manufactured according to your requirements. Von Rohr ball valves are also available with electric actuators. For more detailed information please refer to the von Rohr leaflet "Pneumatic DA actuators" or "Electric SHE-Torque actuators".

Reliable stem seal

Packing, shaft and body design are matched to one another in a way that hardly any friction is generated or higher torques are required.

Robust, high-precision trims

The floating ball, together with the seat gasket, allows an absolute internal tightness. The on/off ball provides full throughput. For control applications, the V-control ball has been proven. In the 3-way version, the L-port and the T-port are used.

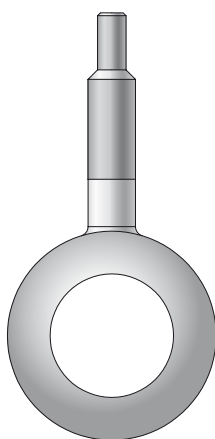
Body

The one- or two-piece body is available in ductile iron, cast steel and stainless steel. The ball valves can be supplied as a straight way or 3-way version.

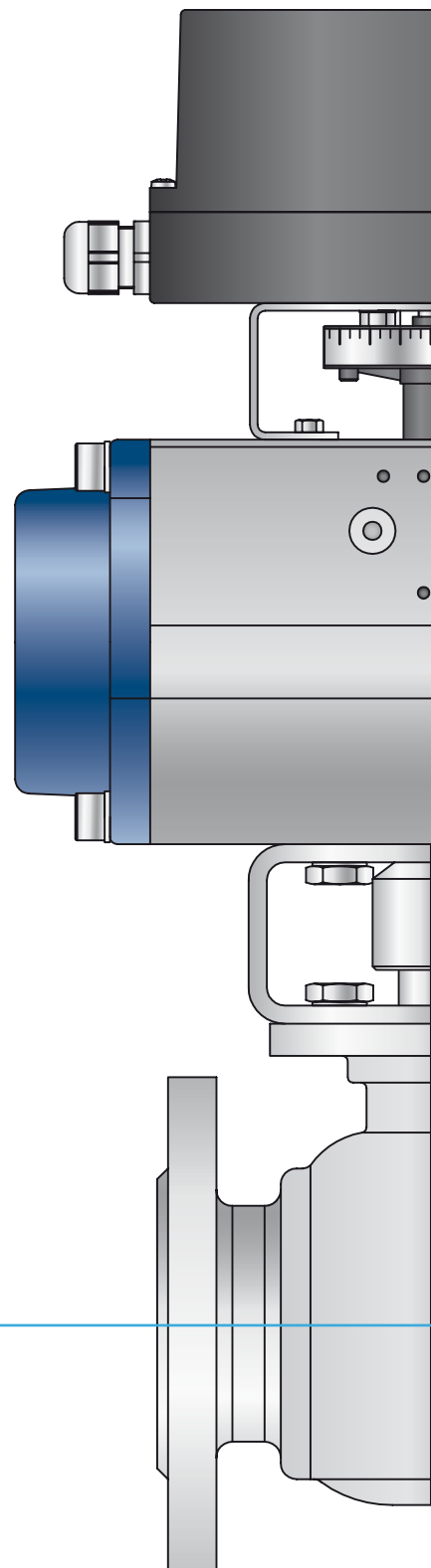
Applications

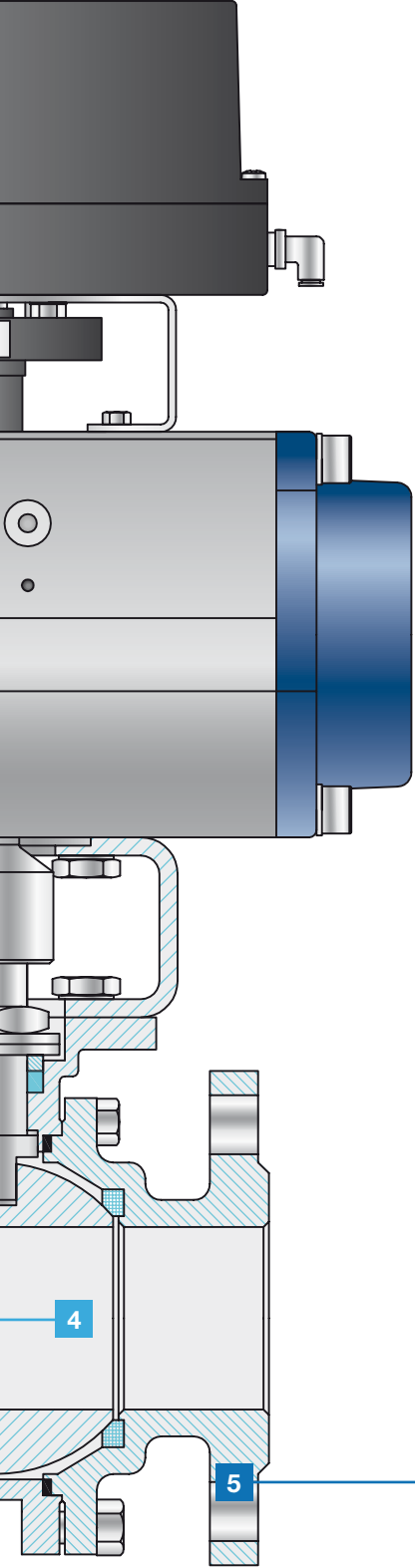
- Chemistry
- Petrochemistry, natural gas
- Paper and pulp
- Food and beverages
- Energy, powerplants, district heating
- Waste management, municipale plants
- Textyle industry, dyeing factories
- Shipbuilding

On/off ball

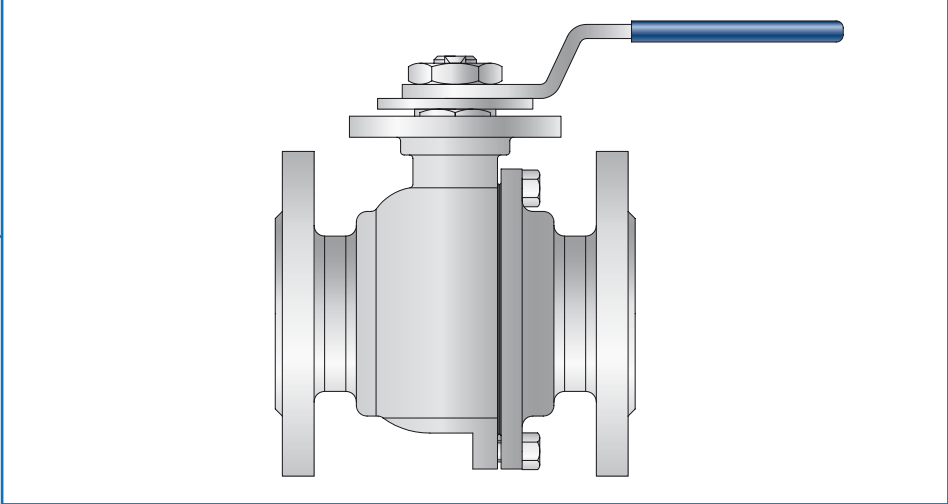


V-control ball

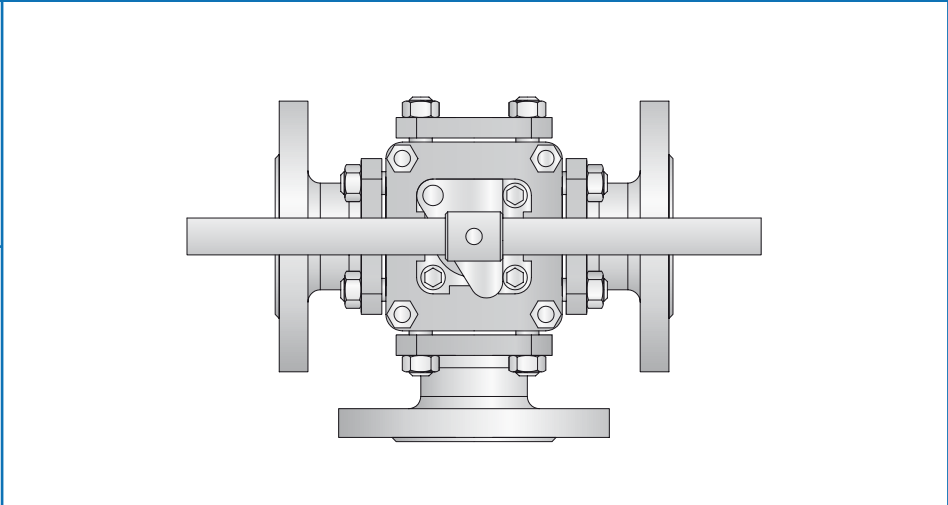




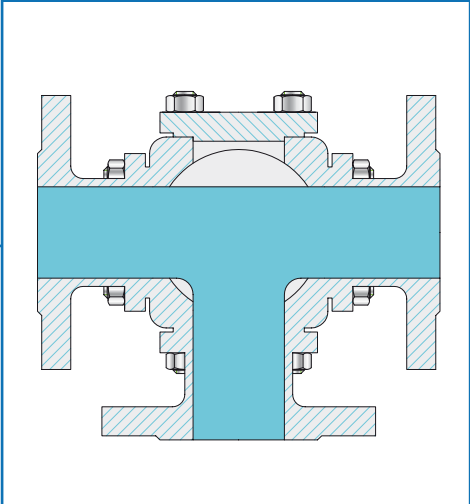
Version with hand lever



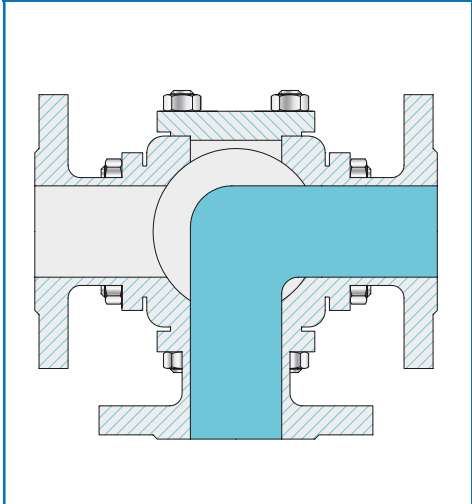
3-way version with hand lever



T-port

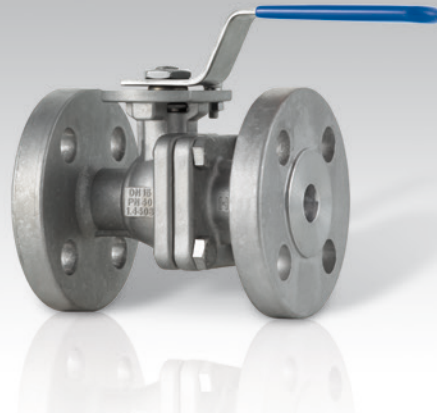


L-port



Series HKH

Version with hand lever



Features	Advantages
Body designed to meet flow path criteria	<ul style="list-style-type: none">● Less noise● Less wear● Less maintenance
Compact and robust design	<ul style="list-style-type: none">● Saves installation space● Any mounting position possible
Easy interchangeability of components	<ul style="list-style-type: none">● Low operating expenses
Stainless steel internal parts	<ul style="list-style-type: none">● No corrosion
Optionally available with manual, pneumatic or electric actuator	<ul style="list-style-type: none">● Wide range of choice

Series HKH

General data	
Series	HKH
Nominal bore DN	15–300
Nominal pressure PN	16–40
Characteristic	On/off or control version
Ball design	Full throughput or V-control ball; 3-way version with L- or T-port
Flanges	Acc. to. DIN EN 1092
Installation length	EN 558-1
Mounting flange	ISO 5211
Permissible operating temp.	Up to +260°C

Materials				
Body material	EN	Temperatures	ASTM	Temperatures
	GGG-40 EN-GJS-400-15	–10 up to 300°C	–	–
	1.0619 GP240GH	–10 up to 400°C	A216WCB	– 29 up to 400°C
	1.4408 G-X5CrNiMo 19–11–2	–196 up to 400°C	A351CF8M	– 196 up to 400°C
Inner parts				
Stainless steel				